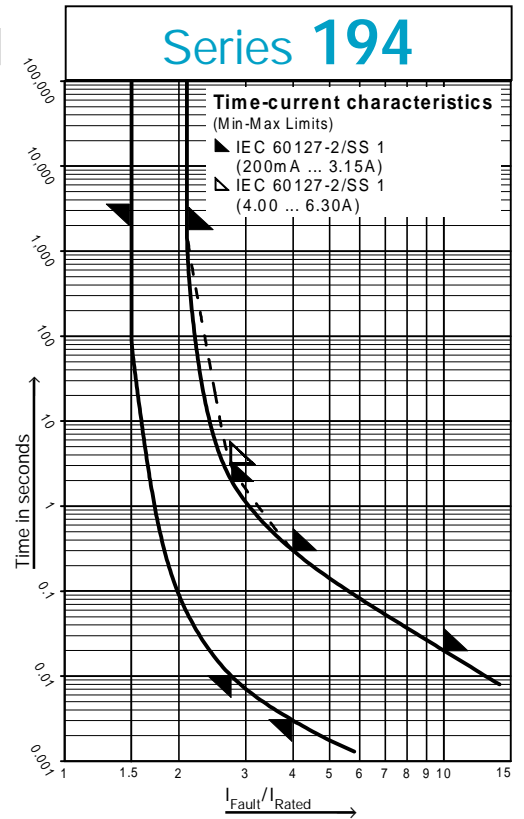
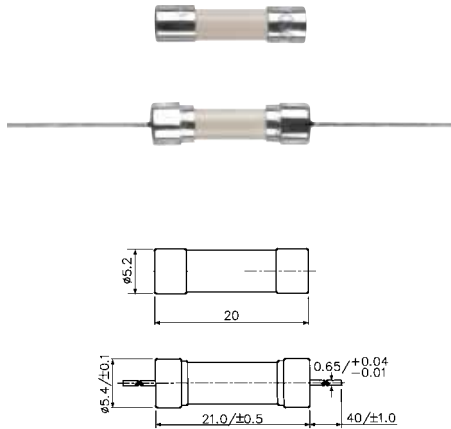


**5x20mm  
Fast-Acting**

# IEC 60127-2/SS 1

DIN 41 660

- **FaxBack Document # 203**
- **Ceramic tube**  
Brass caps, nickel-plated
- **Approvals:**  
VDE: File No. 45221  
SEMKO: File No. 8841079/8746154  
cULus Recognized: File No. E 67006
- **Packaging:**  
00: Bulk (1000 pcs. per Box)  
02: Pack (10 pcs. per Pack)  
40: Axial Leads/Bulk<sup>4</sup>  
43: Axial Leads/Tape & Reel<sup>4</sup>  
(1000 pcs. per Reel)




Note: Contact WICKMANN for individual I-t curves

### Limits for Pre-arcing Time

Rated Current	150%	210%	275%	400%	1000%
200mA ... 3.15A	> 1h	< 30min	10ms ... 2s	3 ... 300ms	< 20ms
4.00 ... 6.30A	> 1h	< 30min	10ms ... 3s	3 ... 300ms	< 20ms
8.00 ... 10.00A	> 30min	< 30min	10ms ... 3s	3 ... 300ms	< 20ms

Permissible continuous operating current is ≤ 100% at ambient temperature of 23°C (73.4°F).

Rated Current / Rated Voltage	Amp Code	Breaking Capacity	Voltage Drop (max) <sup>1</sup>		Power Dissipation (max) <sup>1</sup>		Melting Integral (max)		Approvals		
			100% x I <sub>Rated</sub> (mV)	150% x I <sub>Rated</sub> (W)	1000% x I <sub>Rated</sub> (A <sup>2</sup> s)		VDE	SEMKO	cULus		
200mA / 250V	0200	H ≅ 1500A at 250VAC cos φ = 0.7-0.8	3500	1.6	0.007	•	•	•			
250mA / •	0250		2800	2.5	0.013	•	•	•			
315mA / •	0315		2500	2.5	0.015	•	•	•			•
400mA / •	0400		2000	2.5	0.027	•	•	•			•
500mA / •	0500		1800	2.5	0.041	•	•	•			•
630mA / •	0630		1500	2.5	0.075	•	•	•			•
800mA / •	0800		1200	2.5	0.12	•	•	•			•
1.00A / •	1100		1000	2.5	0.29	•	•	•			•
1.25A / •	1125		800	4.0	0.7	•	•	•			•
1.60A / •	1160		600	4.0	1	•	•	•			•
2.00A / •	1200		500	4.0	1.8	•	•	•			•
2.50A / •	1250		400	4.0	3	•	•	•			•
3.15A / • 3	1315		350	4.0	7.8	•	•	•			•
4.00A / • 3	1400		300	4.0	15	•	•	•			•
5.00A / • 3	1500		250	4.0	35	•	•	•			•
6.30A / • 3	1630		200	4.0	75	•	•	•			•
8.00A / • 2,3	1800		180	3.0	130	•	•	•			•
10.00A / • 2,3	2100		170	4.0	150	•	•	•			•

<sup>1</sup> values according to IEC 60127; WICKMANN values may be lower  
<sup>2</sup> not mentioned in the IEC 60127 standard; ratings are WICKMANN values  
<sup>3</sup> depending on application and mounting, the heating at the maximum ambient temperature in a closed fuseholder should be taken into consideration  
<sup>4</sup> axial leads not available on ratings below 1.00A

### Order Information

Qty.	Order- Number	Series	Amp Code	Packaging
		1 9 4		0